

# BM8D

- Stainless steel shear beam load cell (150kg and 300kg are bending beam load cells)
- Hermetically sealed IP68
- Suitable for floor scales, vehicle-test line, hopper scales and other electronic weighing devices
- Wide range of capacities



## Features

- Capacities: 1Klb~20Klb; 0.5t~10t
- High accuracy
- Low profile
- OIML Cert. No.: R60/2000-NL1-12.11
- NTEP Cert. No.: 10-056A2



OIML test certificate no. TC7869 Revision 2  
C of C no R60/2000-NL1-12.11

NTEP Certificate no. revision1 10-056A2

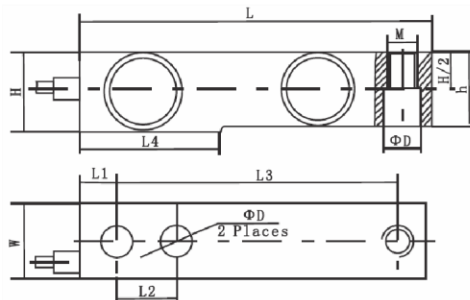
Specifications			
Capacity	t	0.5/1/2/2.5/3/5/7.5/10	
	Klb	1/1.5/2/2.5/5/5KSE/7.5/10/15/20	
Accuracy		C3	N5
Maximum Number of Verification Intervals	Nmax	3000	5000
Minimum Number of Verification Intervals	Vmin	Emax/10000	Emax/5000
Output Sensitivity	(mV/V)	2.0±0.002	3.0±0.008
Input Resistance	(Ω)	350±3.5	
Output Resistance	(Ω)	350±3.5	
Insulation Resistance	(MΩ)	≥5000 (50VDC)	
Zero Balance	(%FS)	1	
Temperature, Compensated	(°C)	-10~+40	
Temperature, Operating	(°C)	-35~+70	
Excitation, Recommended	(V)	5~12 (DC)	
Excitation, Max	(V)	18 (DC)	
Safe Overload	(%FS)	150	
Ultimate Overload	(%FS)	300	

Cross Reference	
Manufacturer	Model
HBM	H35

## Accessories

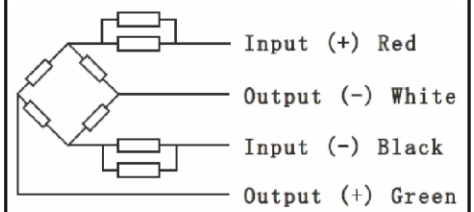
- BJ-8-208
- BJ-8-209
- BJ-8-210
- BJ-8-211
- BJ-8-215
- BJ-8-219
- BJ-8-220
- HJ-8-213
- HJ-8-214

## Dimensions in mm (in)



Outline Dimensions mm (inch)										
Dimension (mm)	W	D	H	h	L	L1	L3	L3	L4	M
Capacity										
1Klb	30.7 (1.21)	13.5 (0.53)	30.2 (1.19)	24.76 (0.98)						
1.5Klb, 2Klb				26 (1.024)						
2.5Klb				27 (1.06)						
3Klb~5KlbSE				27.95 (1.10)						
0.5t	31.3 (1.23)	13.5 (0.53)	31.3 (1.23)	24.76 (0.98)	130 (5.12)	15.7 (0.62)	25.4 (1)	101.6 (4)	57.1 (2.25)	1/2-20UNF-2B
1t				26 (1.024)						
1.5t~2t				27.95 (1.10)						M12x1.75
5Klb~15Klb	36.8 (1.45)	19.8 (0.779)	36.8 (1.45)	27 (1.06)	171.5 (6.75)	19.1 (0.748)	38.1 (1.5)	133.3 (5.25)	76.2 (3)	3/4-16UNF-2B
2.5t~5t		20.5 (0.81)		31.95 (1.26)						M20x2.5
20Klb	49.5 (1.95)	26.9 (1.06)	49.5 (1.95)	40 (1.57)	222.2 (8.75)	25.4 (1)	50.8 (2)	171.5 (6.75)	101.6 (4)	1-12UNF-2B
7.5t~10t										M24x2

## Wiring



- Shielded, 4 conductor cable
- Cable diameter: 0.2in
- Standard cable length: 6m
- Shield not connected to element

# **C A M B R I D G E**

## **ZEMIC** **LOAD CELLS**

<b><u>MODEL</u></b>	<b><u>DESCRIPTION</u></b>	<b><u>CAPACITY</u></b>	<b><u>LIST</u></b>
<b>BM8D-N5- XX-6YB</b>	<b>STAINLESS STEEL HERMETICALLY SEALED, IP 68 RATED SHEAR BEAM LOAD CELL, 3MV/V</b>	<b>1,000 LB.</b>	<b>\$ 330.</b>
		<b>2,500 LB.</b>	<b>\$ 330.</b>
		<b>5,000 LB.</b> SMALL ENVELOPE	<b>\$ 330.</b>
		<b>5,000 LB.</b> LARGE ENVELOPE	<b>\$ 450.</b>
		<b>10,000 LB.</b>	<b>\$ 450.</b>
		<b>15,000 LB.</b>	<b>\$ 900.</b>
		<b>20,000 LB.</b>	<b>\$ 950.</b>

### **INTERCHANGE WITH:**

**REVERE TRANSDUCERS MODEL: 9523**  
**CELTRON TECHNOLOGY MODEL: SQB-HSS**  
**SENSORTRONICS MODEL: 65083**  
**CN CELLS MODEL: PA6240W**  
**HBM MODEL: H35**  
**TEDEA HUNTLEIGH MODEL: 3510**

**F.O.B.: HONEY BROOK, PA**

**PRICES EFFECTIVE: 01/01/18**

**PRICES SUBJECT TO CHANGE WITHOUT NOTICE**